

« 》, « 》, « 》, « 》

() () ()

$$e_d = -\tilde{e}_o \tilde{r}_r SW \frac{dH}{dt} \cos\{\}$$

$$\tilde{e}_o = 4f \cdot 10^{-7} /$$

$$\begin{matrix} \tilde{r}_r - \\ S - \\ W - \\ \{ - \end{matrix} ; ; ;$$

RC RL-

$$U_0(t) = \frac{\tilde{e}_o SW \cos\{ H(t)}{}$$

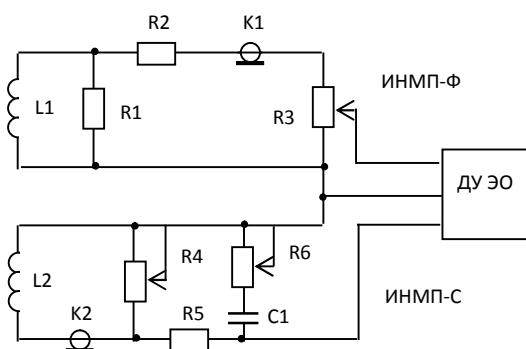
$$0 \leq t \leq 0,1$$

$$k_m = \frac{U_0(t)}{H(t)} = \frac{\tilde{e}_o SW \cos\{$$

k_m

10

1.

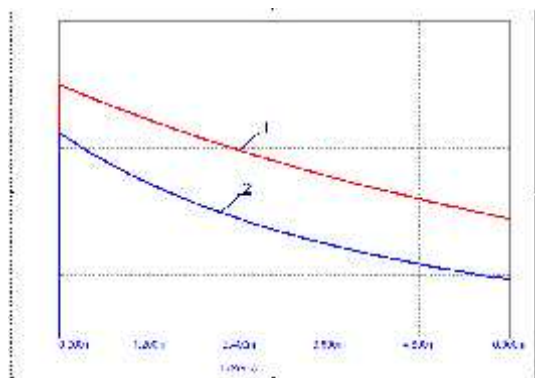


. 1 –

2

(1 –

; 2 –)



. 2 –

1.
1972. – 392 .

2.
. . – . . :

, 1987. – 120 .